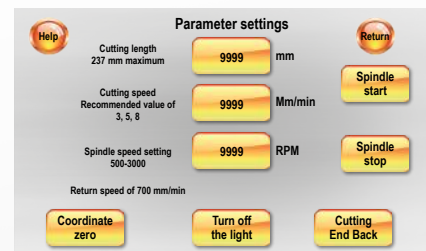
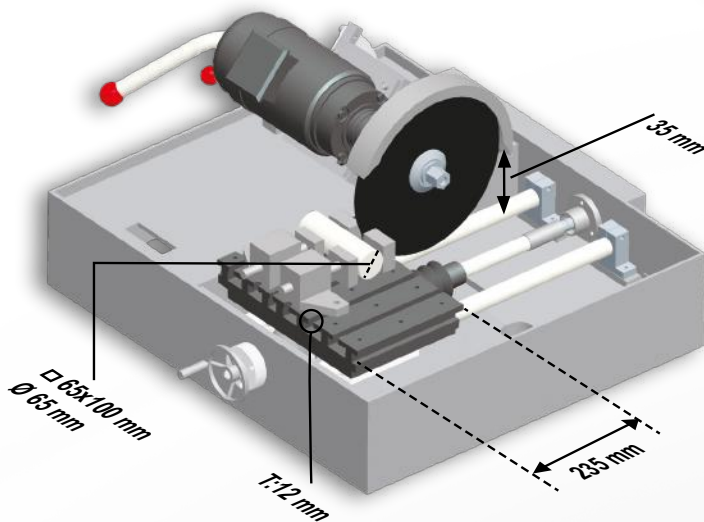


## MAXICUT-65

### Features

- > Automatic/manual floor-type metallographic cutting machine, equipped with PLC control and touch screen for displaying cutting data and samples positioning
- > Cutting table provided with T-slots to assemble different vices
- > The cutting chamber is equipped with an internal ventilation system to increase the visibility during the process. It is supplied with 70 liters cooling system
- > Built-in safety features, internal safety device allows operation only if the cutting chamber is closed
- > Suitable also for cutting rocks and ceramic materials using diamond cutting discs
- > This series is suitable for quality control, scientific research institutes and universities.



Model	MAXICUT-65	
Cutting capacity	Max. $\varnothing$ 65mm	
Cutting disc dimensions	Max. $\varnothing$ 300 x $\varnothing$ 32mm	
Cutting depth	65mm	
Working chamber LxW	430x660mm	
T-slots table LxW	350x230mm	
Speed	500÷3000rpm	
Noise level	<60dB	
Operating temperature	0÷30°C	
Humidity non-condensing	<65%	
Motor power	2200W	
Power supply	400V $\pm$ 10% - 50/60Hz - 3Ph	
Cooling tank	Capacity	60l
	Dimensions	590x360x580mm
	Weight	22kg
Machine	Dimensions	800x760x1370mm
	Weight	280kg

### Standard accessories

Clamp for metallic and non-metallic materials such as steel, iron, aluminium, copper, ceramics, crystals, rocks, etc.; cooling tank with pipes; spanners 46mm-24-30mm; cutting disc  $\varnothing$  300x2 x  $\varnothing$  32

### Optional accessories

103MAXI21 Vertical clamp for irregular shaped samples. Max. clamping 90mm. Suitable for all machines with 12mm T-slots.